

SNIPER MOBILE

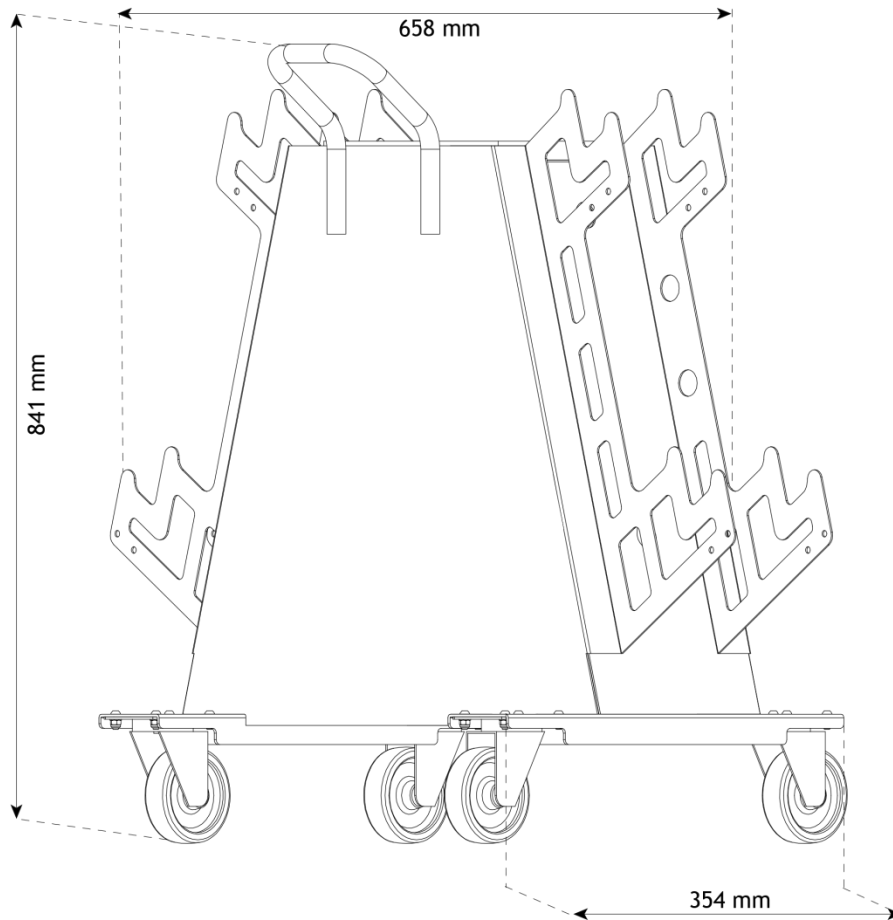


SNIPER MOBILE

Compact, wireless system, composed by a mobile support for CCD-sensors and wheel clamps, that also works as a recharging point for CCDs, and by a ToughPad.



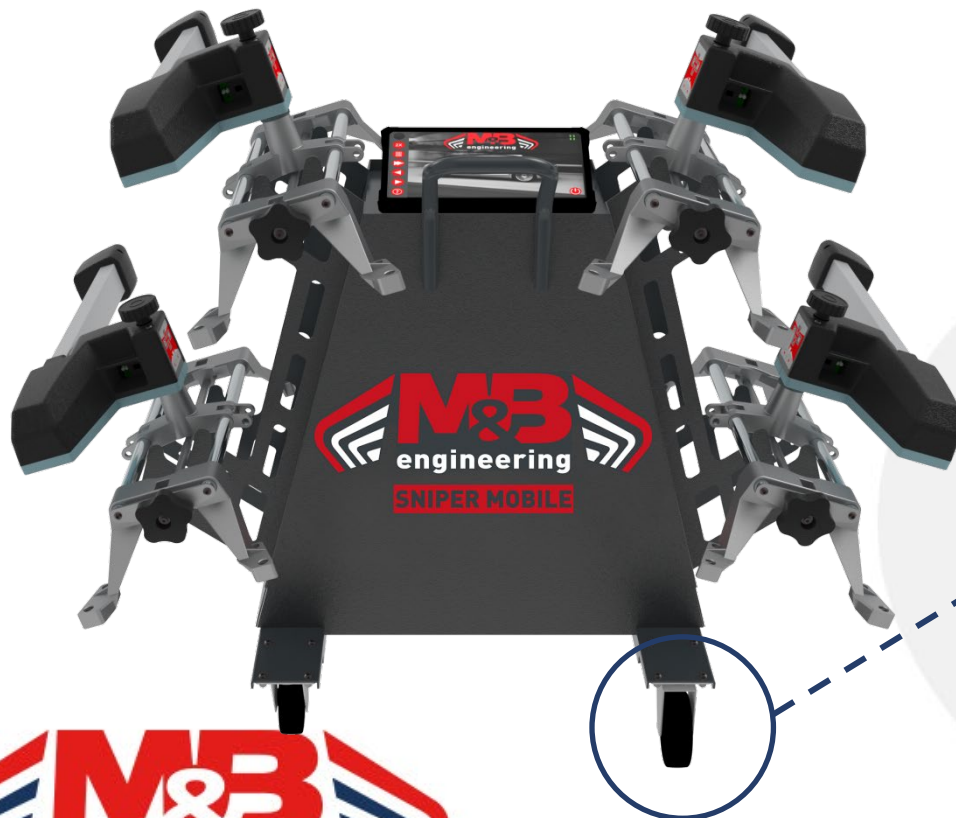
SNIPER MOBILE



Extremely compact and movable structure:
perfect for those shops where space is at a premium and for multibay shops.

SNIPER MOBILE

The cabinet allows to move the entire system close to the vehicle, ensuring a comfortable application of CCDs and adapting itself to all workplaces.



The 100mm rubber pivoting wheels, allow a smooth and comfortable handling of the trolley

TOUGHPAD

The wheel alignment is equipped with a robust 10" Toughpad with Windows 10 operating system and M&B wheel alignment software.



The Toughpad allows a wireless display of all data and operations, becoming extremely practical during the adjustment under the car (where you would not see the fixed wheel alignment monitor).



STANDARD COMPOSITION

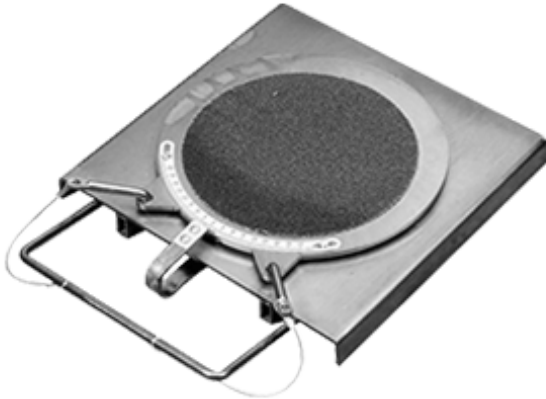
- Trolley
- 10'' Toughpad
- Four 4-point clamps 12''-24.5''
- Metallic grips with reference surface and rubber caps L48mm
- Metallic grips for 4-WD, SUV, light trucks and rims with hubcup
- Brake pedal lock and steering lock

OPTIONS



- Set of four 3-point self-centering wheel clamps for rims 10"-25". Complete with 2 sets of 12 plastic grips.
- Set of 12 extensions 54mm for grips
- Kit composed by long supporting arms + short supporting arms + 12 extensions 54mm

OPTIONS



- Mechanical turnplates for car



- Premium turntables for car complete with paddles